

**Safety Precautions**

- Read all safety precautions and installation instructions carefully before installing or servicing this fixture. Failure to comply with these instructions could result in potentially fatal electric shock and/or property damage.
- It is recommended that a qualified electrician perform all wiring. This fixture must be wired in accordance with all national and local electrical codes.
- Do not handle any energized fixture or attempt to energize any fixture with wet hands or while standing on a wet or damp surface or in water.
- This collar pan is designed for use with EGRF12xx Series at 120VAC, 60Hz fused circuit.
- Make sure that the power source conforms to the requirements of the fixture. (See labels on the fixture housing).
- To reduce the risk of electrical shock, and to assure proper operation, this fixture must be adequately grounded. To accomplish proper grounding, there must be a separate ground wire (green) contact between this fixture and the ground connection of your main power supply panel.
- This fixture is intended to be used for general indoor lighting in dry or damp locations.

**Assembly Instructions**

**Step 1 – Preparing for installation**

- Disconnect electrical power before installing or servicing any part of this fixture
- Remove fixture from carton; remove components from hardware kit.
- Pull down the supply power source black (L), white (N) and green (GND) wires from the junction box then through the center wiring hole of the collar pan (1).

**Step 2 – Collar pan mounting per Fig 1**

- Install the collar pan (1) to the junction box (not included) with two #8-32 screws through the corresponding slots to secure it.
- Continue pulling all wires down through the large opening on the bottom corresponding to the wires coming out of the fixture (4 – not included).

**Wiring – All wiring must take place inside junction box (not included).**

**Caution:** Make sure power is off at fuse or circuit breaker box. Check power wires for damage or scrapes. If the power supply wires are within three inches of the driver, use a wire suitable for at least 90°C (194°F).  
**Note:** Most dwellings built before 1985 have supply wire rated to 60°C. Consult a qualified electrician to ensure correct branch circuit conductor before installing.

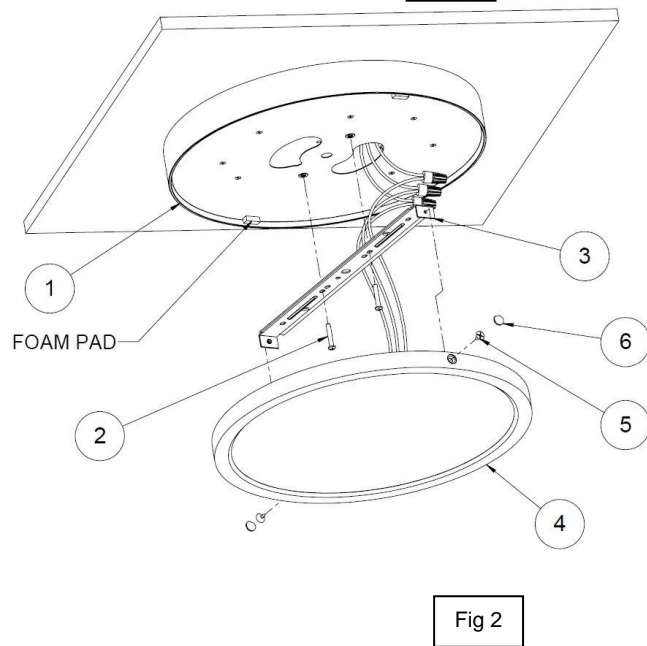
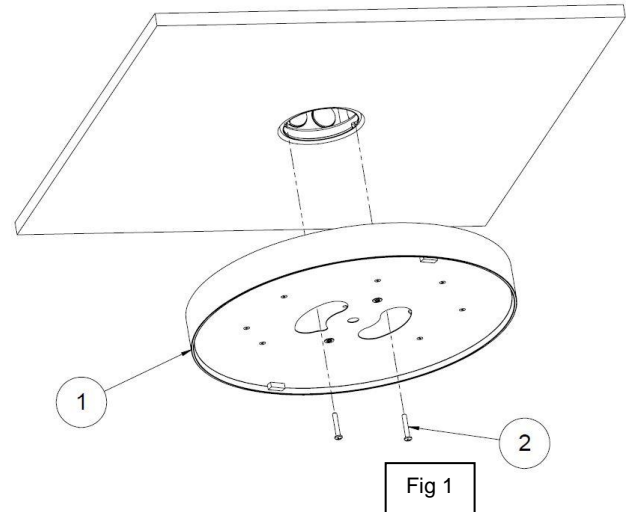
**Step 3 – Wiring fixture (4 – not included)**

- Make all wire connections to appropriate wire. Secure with wire nuts (provided).
- Connect the green wire from the fixture to the supply power source ground wire.
- Connect the white wire from the fixture to the white (N) wire from supply power source.
- Connect the black wire from the fixture to the black (L) wire from supply power source.
- Do not mix wires.** Pull on each wire lead to make sure connections are secure. Make certain no bare wires are exposed outside of wire connectors. Tuck all connections neatly into collar pan (1).

**Step 4 – Fixture mounting per Fig 2 (for referencing only)**

- Remove mounting bracket (3) from behind the fixture (4 – not included).
- Install mounting bracket (3) to the collar pan (1) by aligning corresponding slots with the housing then using two #8-32 screws (2) to secure it.
- All wires must be on one side of the mounting bracket (3) and must be tuck away inside the collar pan (1).
- Install fixture (4 – not included) to mounting bracket (3) with two screws (5) to secure it. Insert plastic cap (6) to hide screw holes.

**Step 5 – Power to the fixture can now be restored**



View shown for reference only. Light fixture (4) is sold separately. Individual models may vary.

**Limited Factory Warranty**

AFX Inc. hereby warranty that this fixture is free from defects in materials and workmanship when installed and used under normal operating conditions for a period of 5 years from date of shipment from factory. This warranty covers all component parts and extends only to replacement of defective fixture or components; it does not cover failure due to improper installation, misuse, mishandling or damage incurred in transit.